

1D Wearable Ring Laser Bluetooth Scanner

GS R1000BT wearable 1D laser ring barcode scanner is new generation scanner allowing you for movement scanning, picking and sorting application.

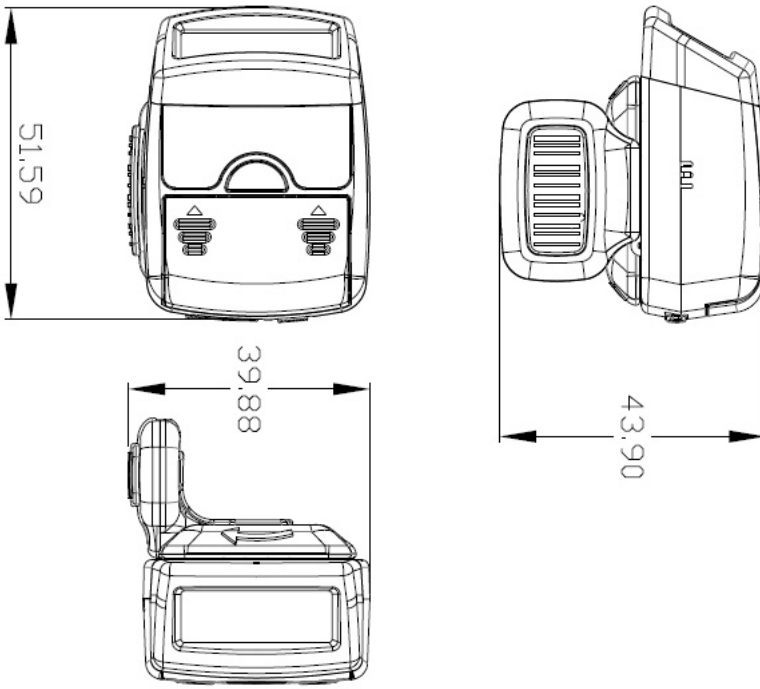
You can wear it on your finger to free your hand to handle materials, goods and packages while scanning. It can improve 25% overall productivity.

With Bluetooth 3.0 technology, you can pair it with iOS and Android device easily. You can even connect high-gain Bluetooth dongle for long distance barcode scanning.

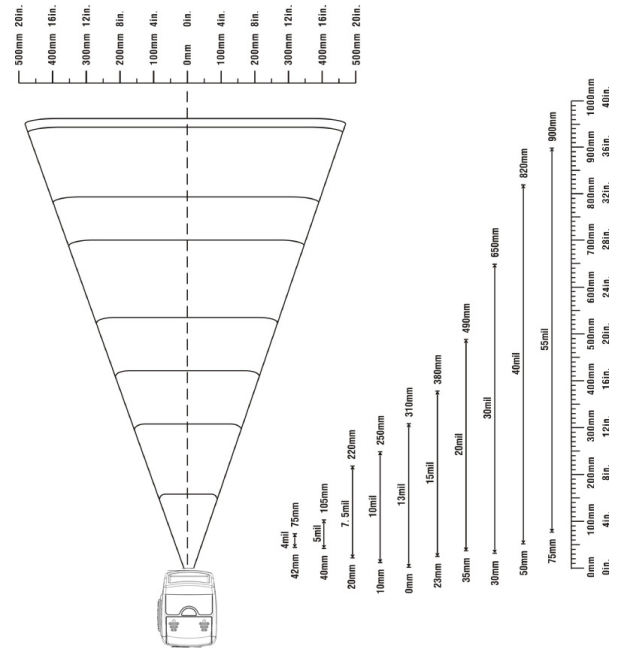
It is an ideal solution for retail, warehouse, asset tracking, express logistics and many more picking and sorting applications.

Feature

- ◇ Frees operator's hands to move packages, products or materials, helping to improve efficiency and productivity
- ◇ Build-in memory and large off-line storage up to 10000 barcodes
- ◇ Strong decode capability even the poorly printed barcode.
- ◇ Strong compatibility with iOS and Android ,WindowsPhone,X86 Windows tablet
- ◇ Swifvel feature to enables easy switching from right to left hand use
- ◇ Work with GS D100BT, it can increase the wireless transmit distance for 50 meters



Decode Range:



Dimensions : L51.59mm×W39.88mm×H43.9mm
Weight : 50g
Sensor Type: Laser Diode
Illumination: Laser 650nm
Scan Speed: Up to 100 per second
Scan Angle: Skew±50° , Pitch±65° , Roll±35°
Optical Resolution : 5mil
Minimun Print Contrast : 20% MRD measured at 630nm

Input Voltage:DC5 V±0.15 V
Scan Current : 75 mA
Low Power Current :8uA
Battery: 320maH
Shock :1500G

Ambient Light : 0 ft candles (0 Lux)to 10,000 ft candles(110,000Lux)
Operating Temp: -10° to 60° C
Storage Temp: -30° to 70° C
Humidity: 5%-90% non-condensing

Symbologies :

1D: Codabar, Code 11, Code 32, Code 39, Code 93, Code 128, IATA 2 of 5, Interleaved 2 of 5, GS1 DataBar (RSS), Hong Kong 2 of 5, Matrix 2 of 5, MSI Plessey, NEC 2 of 5, Pharmacode, Plessey, Straight 2 of 5, Telepen, Trioptic, UPC/EAN/JAN

Mechanical Vibration : IEC 60068-2-6
Mechanical Shock: IEC 60068-2-27
Laser Safety:EN60825-1 , Class 1

Accessory : USB Cable

Warranty : Scanner 1 year ,
 Battery :6 month

ESD Protection: EN 55024 (IEC 61000-4-2 ,
Contact Discharge : ±4KV , Air Discharge : ±8KV) , IEC 61000-4-4 ,
 IEC 61000-4-5 , IEC 61000-4-6 , IEC 61000-4-11
RF Immunity: IEC 61000-4-3 , 10V/m
Power Emission: EN 55022 , class B ; EN61000-3-2 ; IEC 61000-3-3

Certification: CE , ROHS , WEEE Complicant



Generalscan Electronics Co.; Ltd

Sales Center :

Add:Unit 2C15,Building 2, YuFeng Plaza,No.32,HeLongYi Road, HuangShi Street,Baiyun District,Guangzhou, China.510425

Tel: +86-20-36713951

Fax: +86-20-62351535

Interface: USB 2.0,Bluetooth 3.0

Email : sales@generalscan.com

Web:www.generalscan.com