

## Wearable 1D Linear CCD Ring Barcode Scanner



The tiny GS R1300BT 1D linear CCD ring barcode scanner is new generation wearable barcode scanner allowing you for movement scanning, picking and sorting application.

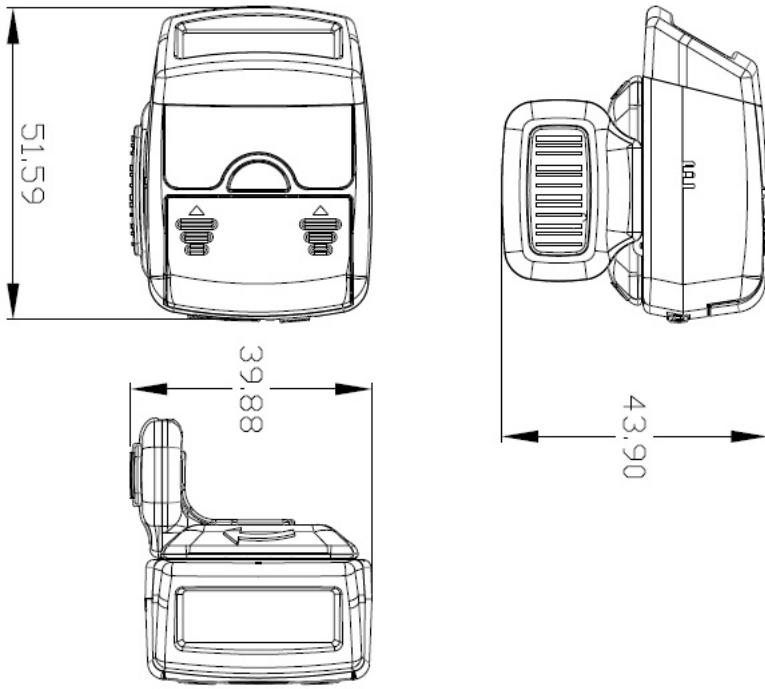
You can wear it on your finger to free your hand to handle materials ,goods and packages while scanningIt can improve 25% overall productivity.

Build-in high performance Bluetooth technology, you can pair it with iOS and Android device easily.

GS R1300BT integrates affordable 1D linear CCD scanning engine without sacrificing performance. Fast scanning speed and readability of poorly printed, low contrast and damaged 1D barcode improve your productivity.

### Feature

- ◇ tiny size and easy to wear on the finger,easily rotation for left hand and right hand
- ◇ High performance bluetooth 3.0 technology can easily connect with iOS and Android platform.
- ◇ Free operator's hands to move package,products or materials,helping to improve efficiency and productivity.
- ◇ Offline scan mode can save more than 1000 15 bit barcode
- ◇ High durability and shock resistance that allowing you have low total cost of ownership.
- ◇ Work with GS D100BT,it can increase the wireless transmit distance for 50 meters
- ◇ Inner rechargeable battery support 12 hours scanning with 10 seconds interval trigger
- ◇ Ideal for express logistic,warehousing,traceability,asset management,shopping mall and supermarket.



**Dimensions :** L51.59mm×W39.88mm×H43.9mm  
**Weight :** 50g

**Input Voltage:**DC5 V±0.15 V  
**Scan Current :** 110 mA  
**Low Power Current :**400uA  
**Shock :**2000G

**Sensor Type:** 1500 line Linear CCD  
**Illumination:** LED 610nm  
**Scan Speed:** 50 scan/second  
**Scan Angle:** Skew±50° , Pitch±65° , Roll±25°  
**Optical Resolution :** 5mil

**Ambient Light :** 0 ft candles (0 Lux)to 10,000 ft candles(110,000Lux)

**Operating Temp:** 0° to 50° C  
**Storage Temp:** -40° to 70° C  
**Humidity:** 5%-95% non-condensing  
**Minimun Print Contrast :** 20% MRD measured at 630nm

**Interface:** Bluetooth 3.0 and Micro USB  
**Battery:** 320mAH Li-ion Battery  
**Working Time:** 8hours with 10s interval trigger



**GS D100BT**  
 bluetooth adapter  
 (optional)

### Decode Range:

Barcode		Distance		
Specifications	Part Number / Encoded Characters		Typical	Guaranteed
Code 39, 5mil 80% MRD	64-17453-01 "ABCDEFGH"	Near	4.25 in. / 107.95 mm	5.75 in. / 146.05 mm
		Far	9.25 in. / 234.95 mm	7.75 in. / 196.85 mm
Code 39, 7.5mil 80% MRD	64-17452-01 "ABCDEF"	Near	3.25 in. / 82.55 mm	4.5 in. / 114.3 mm
		Far	12.5 in. / 317.5 mm	10.0 in. / 254 mm
100% UPC-A 80% MRD	64-05303-01 "012345678905"	Near	2.25 in. / 57.15 mm	2.5 in. / 63.5 mm
		Far	15.5 in. / 393.7 mm	11.25 in. / 285.75 mm
Code 39, 20mil 80% MRD	64-17456-01 "123"	Near	3.0* in. / 76.2 mm	3.0* in. / 76.2 mm
		Far	20.0 in. / 508 mm	17.0 in. / 431.8 mm

- Notes:**
- Distances are measured from the front flange surface of the image lens.
  - The distances marked with asterisk (\*) are a result of the field of view (FOV) limitation.
  - Image signal should be with "Raw" option checked
  - Successful decoder criteria: Less than 250ms decode time, maximum of two attempts.
  - Symbols are to be mounted with a pitch of 15 +/- 3 degrees away from the engine.
  - Maximum allowable roll angle of symbols relative to the engine mounting base plane is +/- 3.0 degrees.

### Symbologies :

**1D:** Codabar, Code 11, Code 32, Code 39, Code 93, Code 128, IATA 2 of 5, Interleaved 2 of 5, GS1 DataBar (RSS), Hong Kong 2 of 5, Matrix 2 of 5, MSI Plessey, NEC 2 of 5, Pharmacode, Plessey, Straight 2 of 5, Telepen, Trioptic, UPC/EAN/JAN

**Accessory :** USB Cable , Li-ion battery  
**Optional :**GS D100BT bluetooth adapter

**Warranty :** Scanner 1 year ,  
 Battery :6 month  
**Certification:** CE , ROHS



**Generalscan Electronics Co.; Ltd**

**Sales Center :**  
**Add:**Unit 2C15,Building 2, YuFeng Plaza,No.32,HeLongYi Road, HuangShi Street,Baiyun District,Guangzhou, China.510425  
**Tel:** +86-20-36713951  
**Fax:** +86-20-62351535

**Email :** sales@generalscan.com  
**Web:**www.generalscan.com